

## 27 cu. ft. Side-by-Side Refrigerator with Ice & Water Dispenser



- 26.6 cu. ft. Capacity
- Ice & Water Dispenser
- Filtered Water
- Multi-Air Flow Technology
- Inverter Compressor
- 2 Crisper Drawers
- LG ThinQ® Technology (Wi-Fi)



### COLOR AVAILABILITY

● LS27T3230S – PrintProof® Stainless Steel

### CAPACITY

Refrigerator (cu. ft.)	17.1
Freezer (cu. ft.)	9.5
Total Capacity (cu. ft.)	26.6

### ENERGY

Energy Consumption (kWh/Year)	670
ENERGY STAR® Certified	Yes

### WATER & ICE SYSTEM

In-Door Dispenser	Yes
Internal Water Dispenser	No
In-Door Ice System	Spaceplus™
In-door Ice Maker - Ice Type	Cubed & Crushed
In-door Ice Maker - Daily Ice Production	2.3 lbs. (3.0 lbs. w/IcePlus®)
In-door Ice Maker - Ice Storage Capacity	3.5 lbs
Freezer Ice Maker	No
Dispenser Light	No
Water Filter	LT1000P (NSF-Certified*)

### COOLING

Compressor Type	Inverter Compressor
Dual Evaporators	No (1 evaporator)
Multi-Air Flow System	Yes
Door Cooling	Yes
Temperature Sensors	4
Fresh Air Filter	No

### CONVENIENCE

Display Type	Membrane / White LED
Temperature Controls	Electronic / Digital
Door Alarm	Yes
Child Lock	Yes
Auto Closing Door Hinge	Yes
ADA Compliant	Yes
Sabbath Mode	Yes

### REFRIGERATOR

No. of Shelves	3
Shelf Construction	Tempered Glass
Crisper Bins	2
Glide N' Serve® Pantry Drawer	No
Cool Guard	No
Refrigerator Light	Yes

### REFRIGERATOR DOOR

No. of Door Bins	4
Door Bin Construction	1 Piece (Clear)

### FREEZER

Freezer Type	Swing Door
Freezer Drawers	1
No. of Shelves	4 (Tempered Glass)
No. of Door Bins	2
Ice Storage	Manual Ice Tray
Freezer Light	Yes
Freezer Handle	Bar

### SMART FEATURES

Wi-Fi Enabled	Yes
ThinQ® Technology	Yes
ThinQ Care	Yes
Voice Control	No
SmartDiagnosis™	Yes
Remote Monitoring	No

## MATERIALS AND FINISHES

Hidden Hinges	Yes
Surface	Smooth
Fingerprint & Smudge Resistant Exterior	Yes
Handles	Bar Handles (Stainless Look)

## ACCESSORIES

Replacement Water Filter	LT1000P
--------------------------	---------

## TECHNICAL SPECS

Required Power Supply	115 V, 60 Hz, 15 Amp
Plug Type	3-Prong
Power Cord Location	Back
Min. / Max. Water Pressure	20-120 psi

## DIMENSIONS / CLEARANCES / WEIGHTS

Depth with Handles	36 7/16"
Depth without Handles	33 7/8"
Depth without Door	32 1/8"
Depth (Total with Door Open)	51 5/16"
Height to Top of Case	69"
Height to Top of Door Hinge	70 1/2"
Width	35 7/8"
Width (Door Open 90° with Handle)	44 1/16"
Width (Door Open 90° without Handle)	39 1/8"
Door Edge Clearance with Handle	4 1/8"
Door Edge Clearance without Handle	1 11/16"
Installation Clearance	Sides 2", Top 2", Back 2"
Approx. Weight (Product / Carton)	242.5 lbs / 266.8 lbs
Carton Dimensions (WxHxD)	37 3/8" x 72 5/8" x 34 15/16"

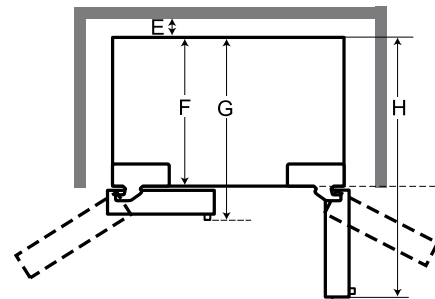
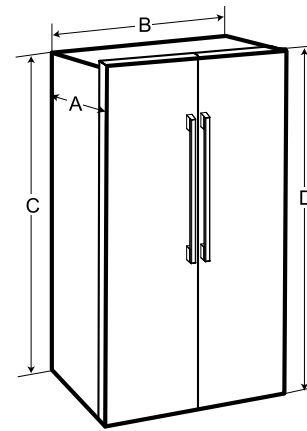
## LIMITED WARRANTY

Parts & Labor	1 Year
Sealed System (Parts & Labor)	5 Years
Compressor (Parts & Labor)	5 Years
Linear/Inverter Compressor (Parts Only)	6-10 Years



\*System tested and certified by NSF® International against NSF/ANSI Standard 42, Standard 53 and Standard 401.

## DIMENSIONS / CLEARANCES



## DIMENSIONS / CLEARANCES

A	Depth without Handle	33 7/8" (861 mm)
B	Width	35 7/8" (912 mm)
C	Height to Top of Case	69" (1753 mm)
D	Height to Top of Hinge	70 1/2" (1791 mm)
E	Back Clearance	2" (51 mm)
F	Depth without Door	32 1/8" (816 mm)
G	Depth (Total with Door Open 90°)	51 5/16" (1304 mm)

## INSTALLATION NOTES

- The installation location chosen for the refrigerator should allow space behind the unit for connections and airflow and space in front to open the doors and drawers.
- Too small of a distance from adjacent items may result in lowered freezing capability and increased electricity consumption charges. Allow at least 2 inches (51 mm) between the back of the refrigerator and the wall.